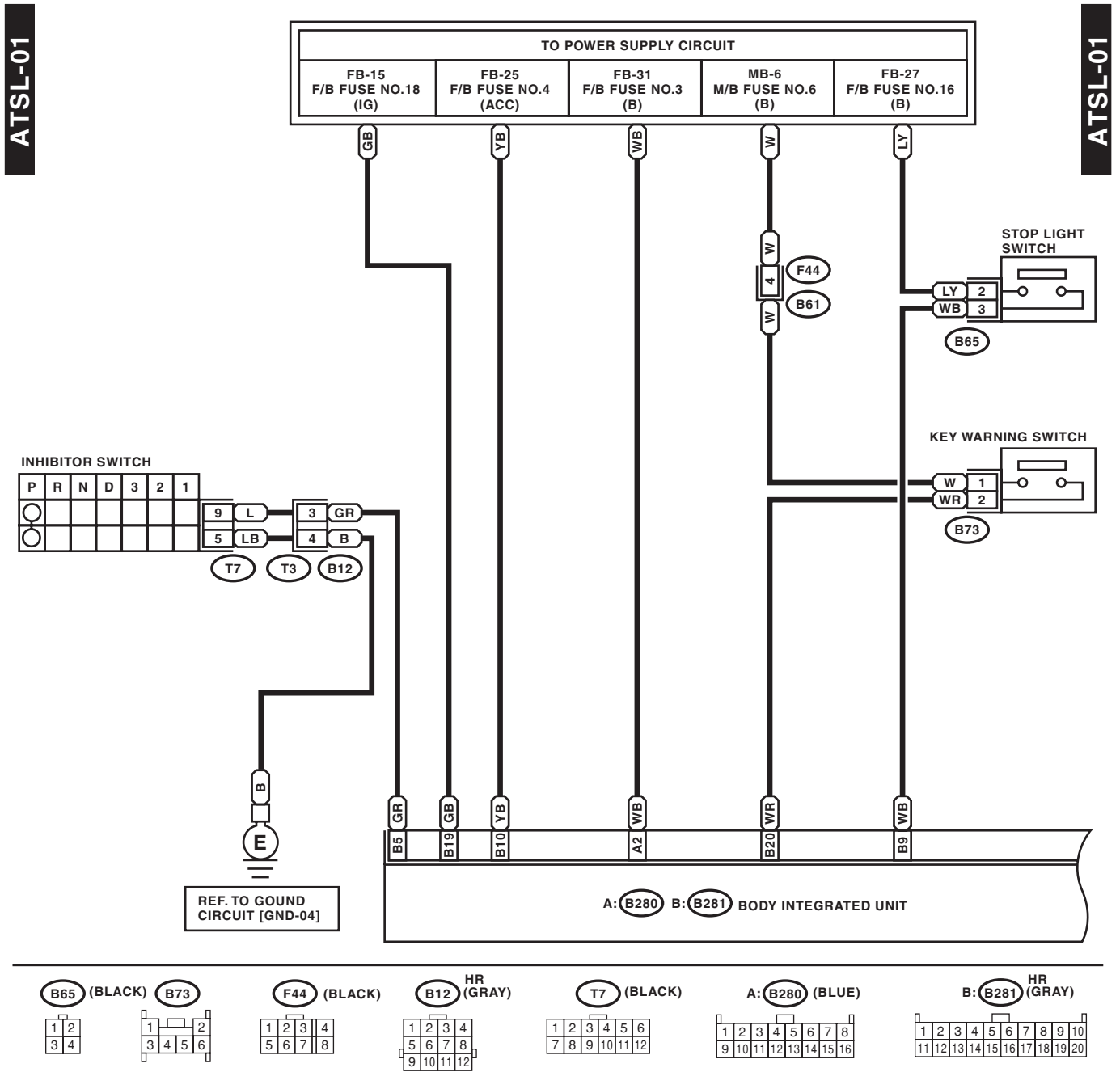


7. AT Shift Lock Control System

A: WIRING DIAGRAM

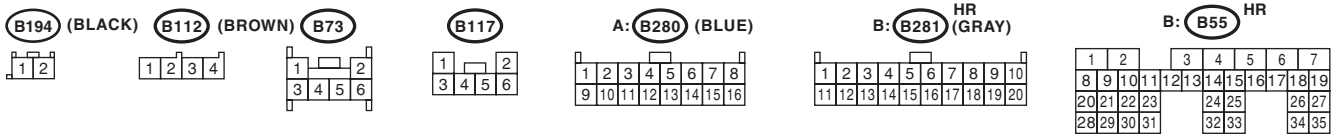
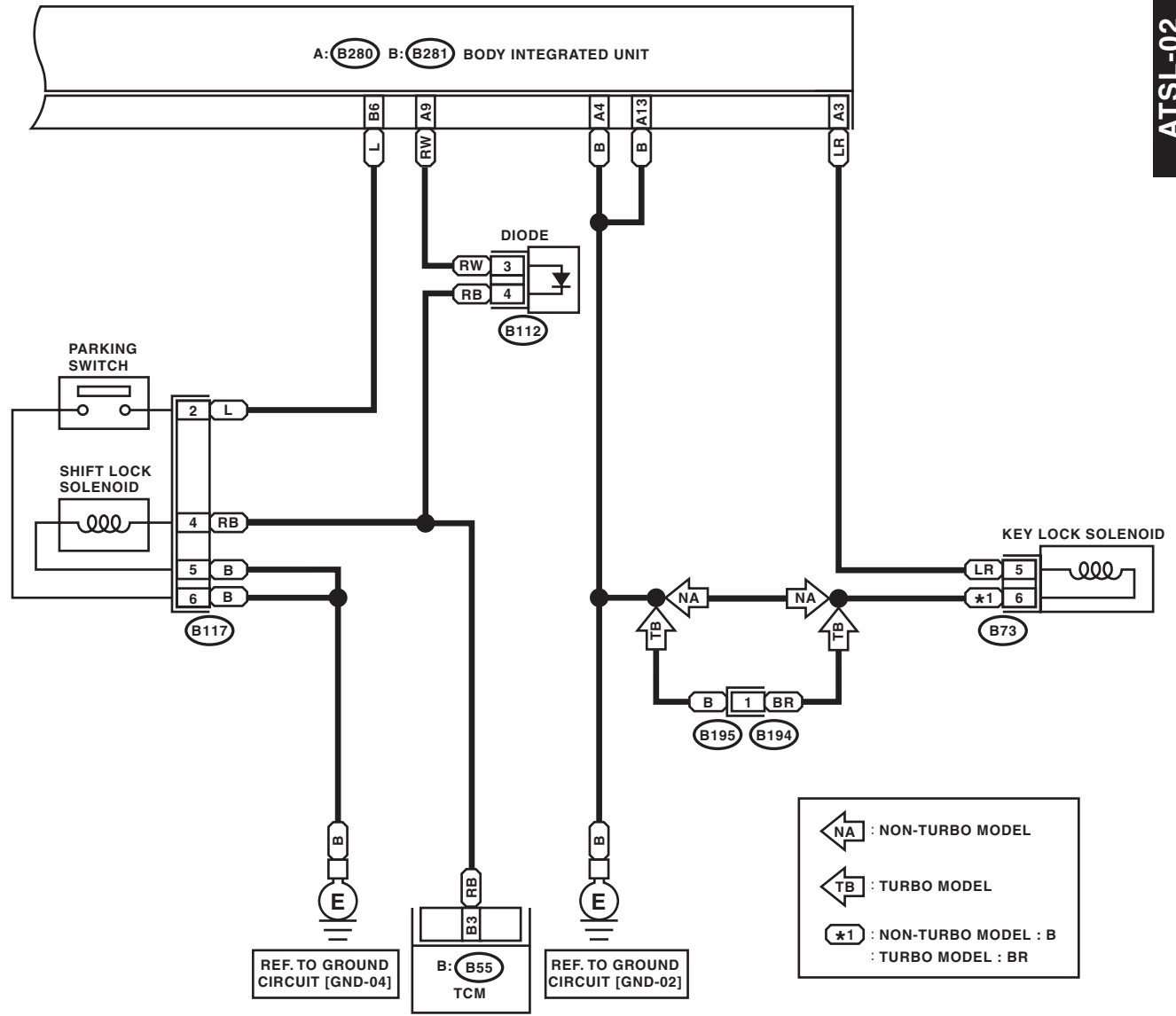


AT Shift Lock Control System

WIRING SYSTEM

ATSL-02

ATSL-02



WI-11617