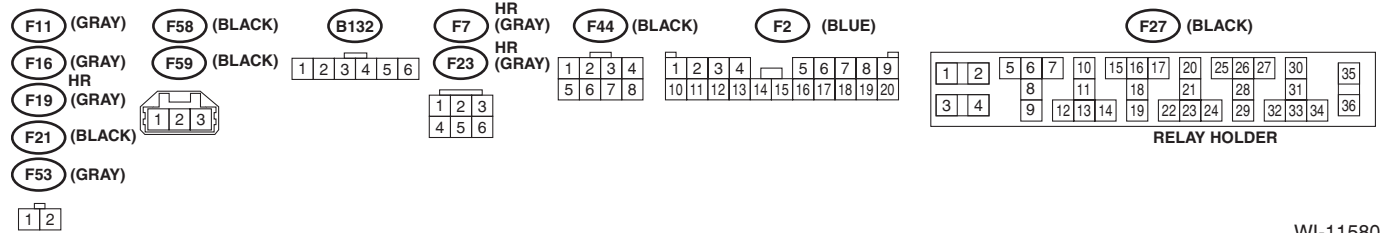
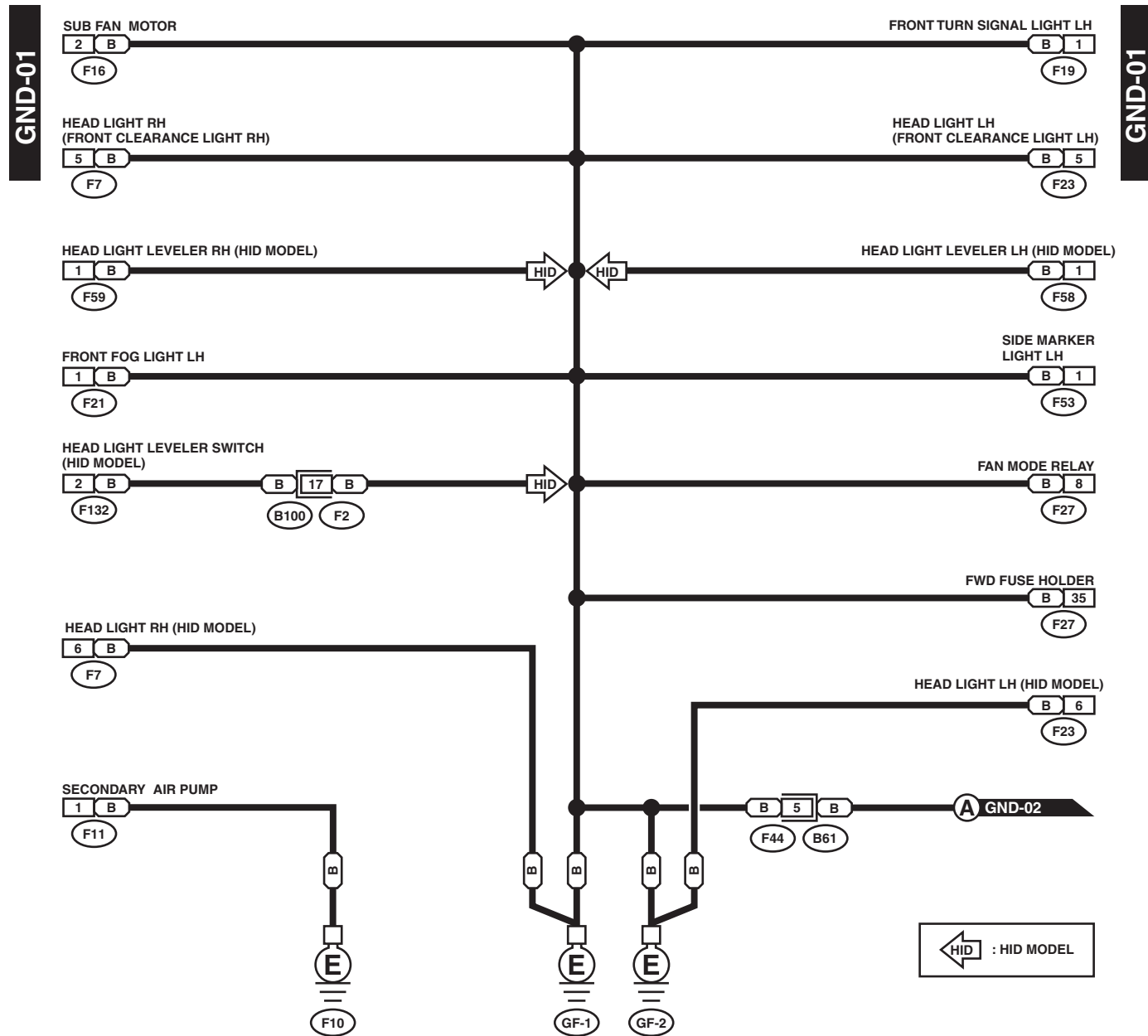


# Ground Circuit

## WIRING SYSTEM

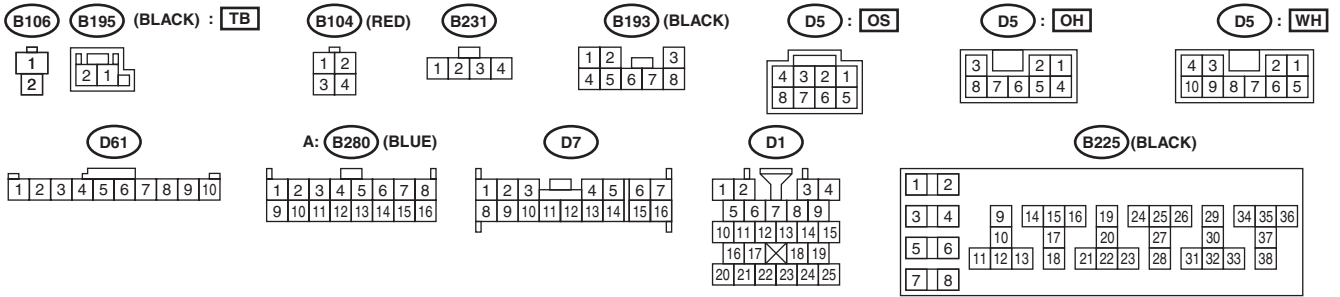
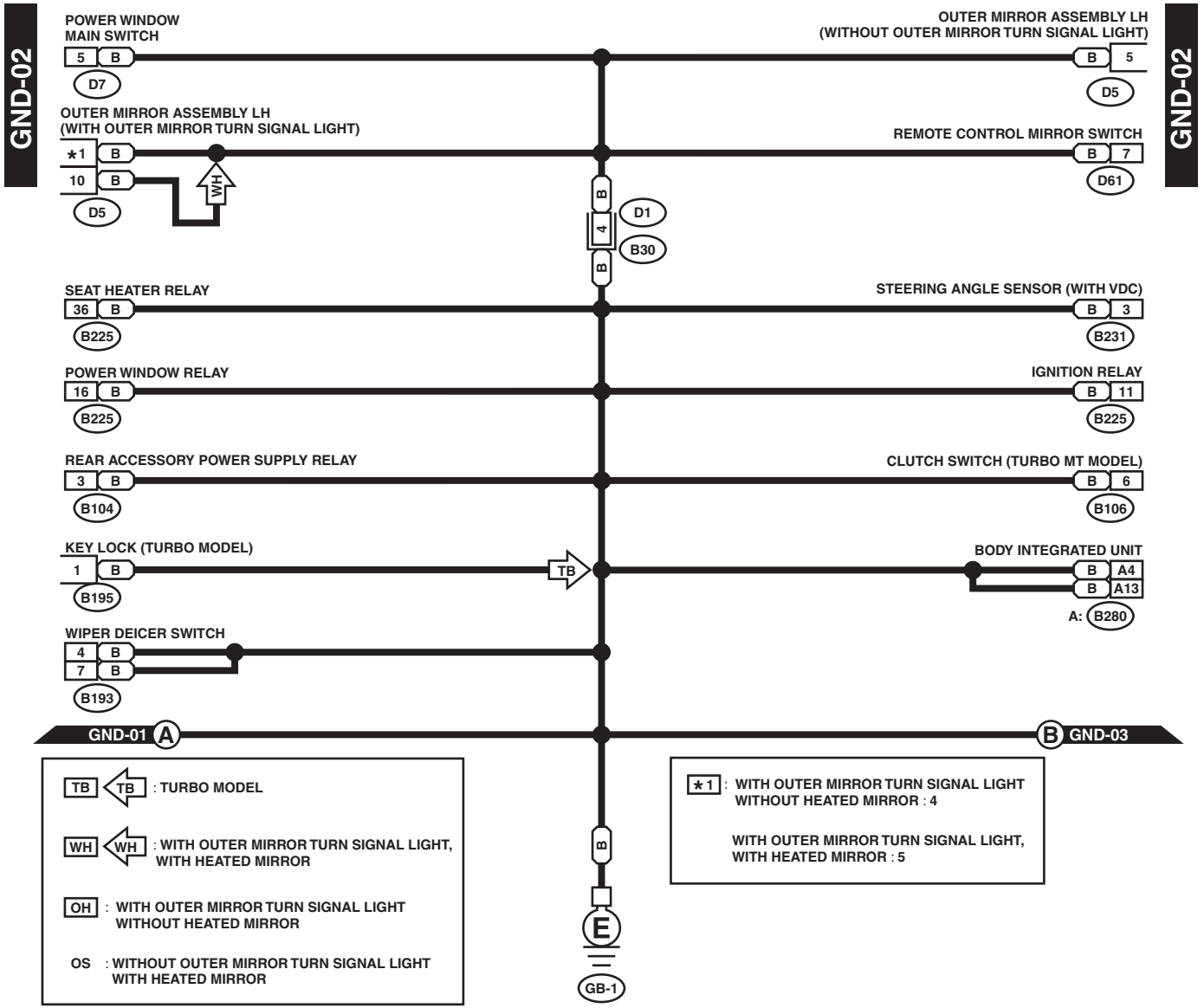
### 4. Ground Circuit A: WIRING DIAGRAM



WI-11580

# Ground Circuit

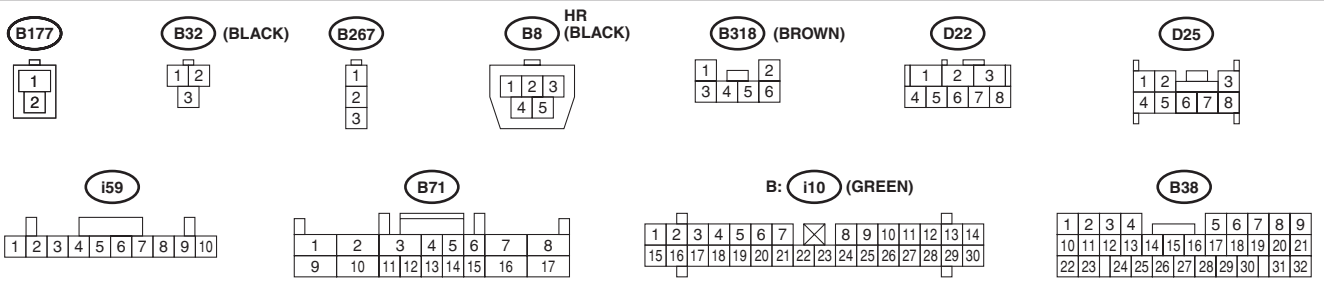
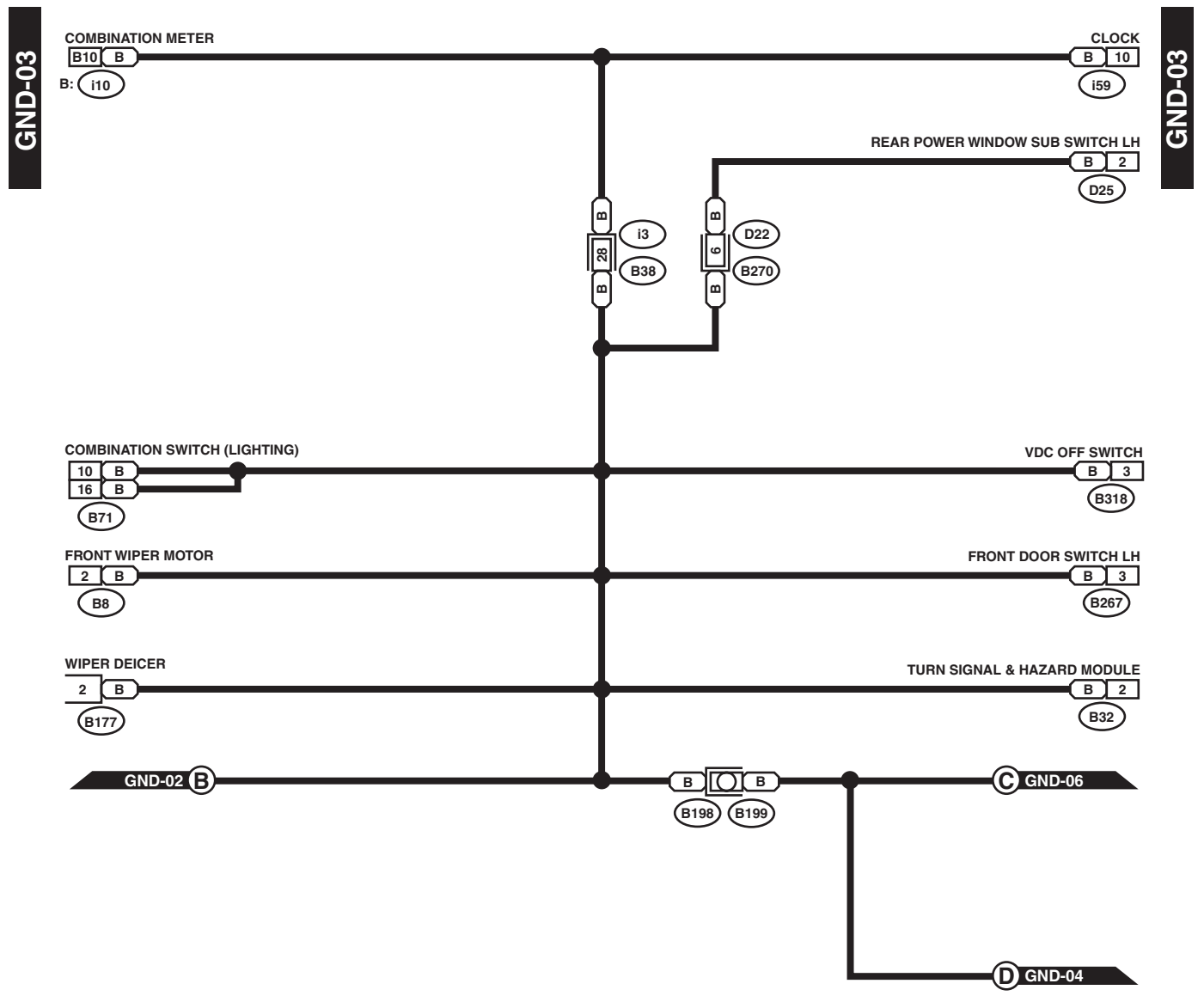
WIRING SYSTEM



RELAY BLOCK WI-08335

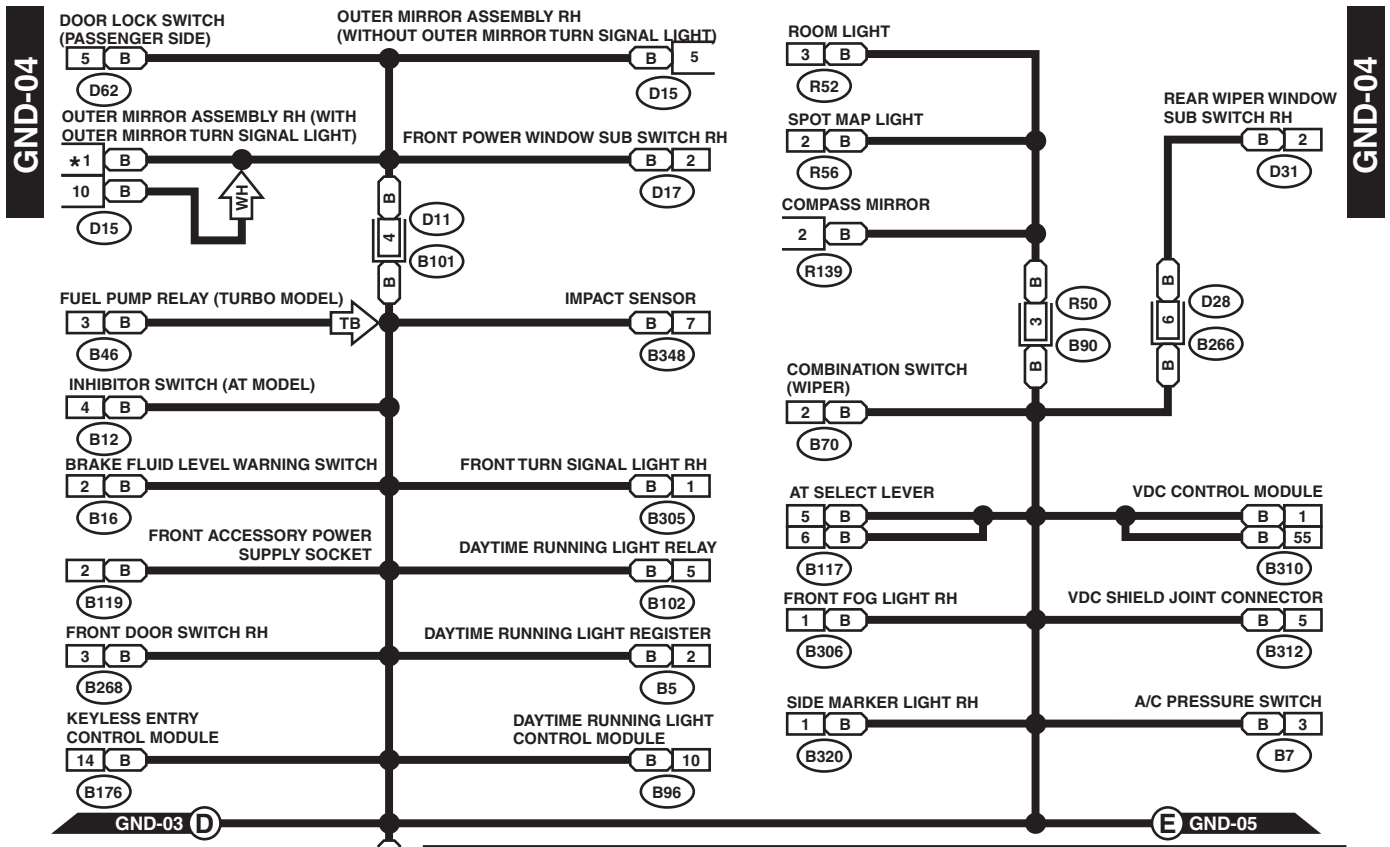
# Ground Circuit

## WIRING SYSTEM

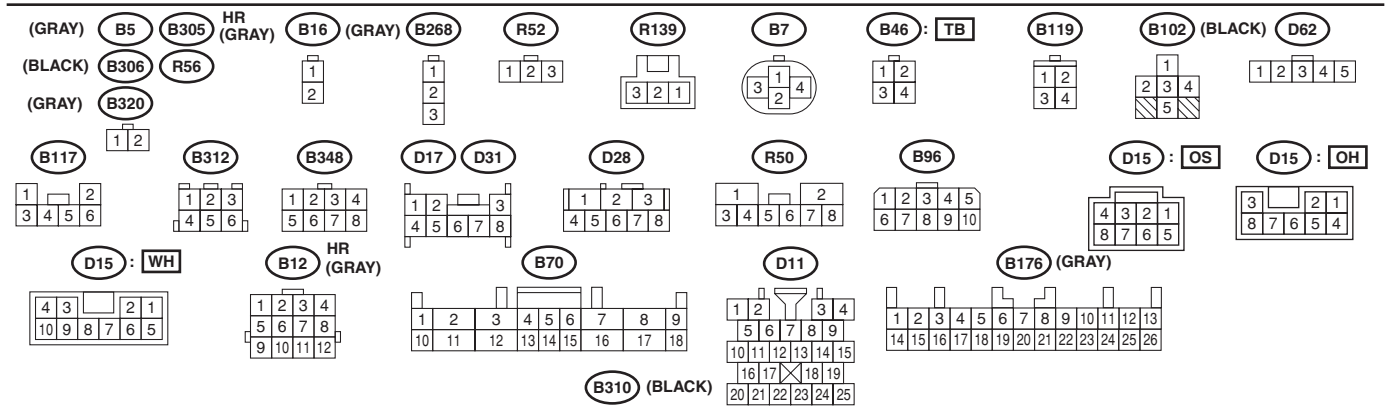


WI-11581

# Ground Circuit



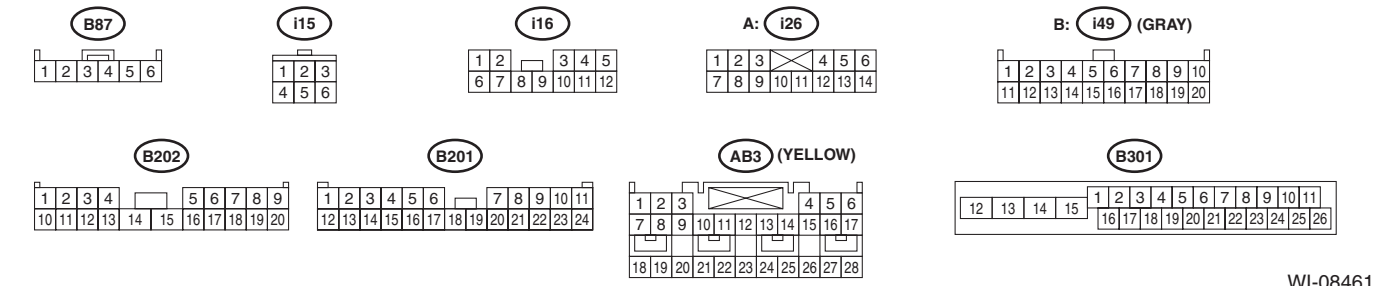
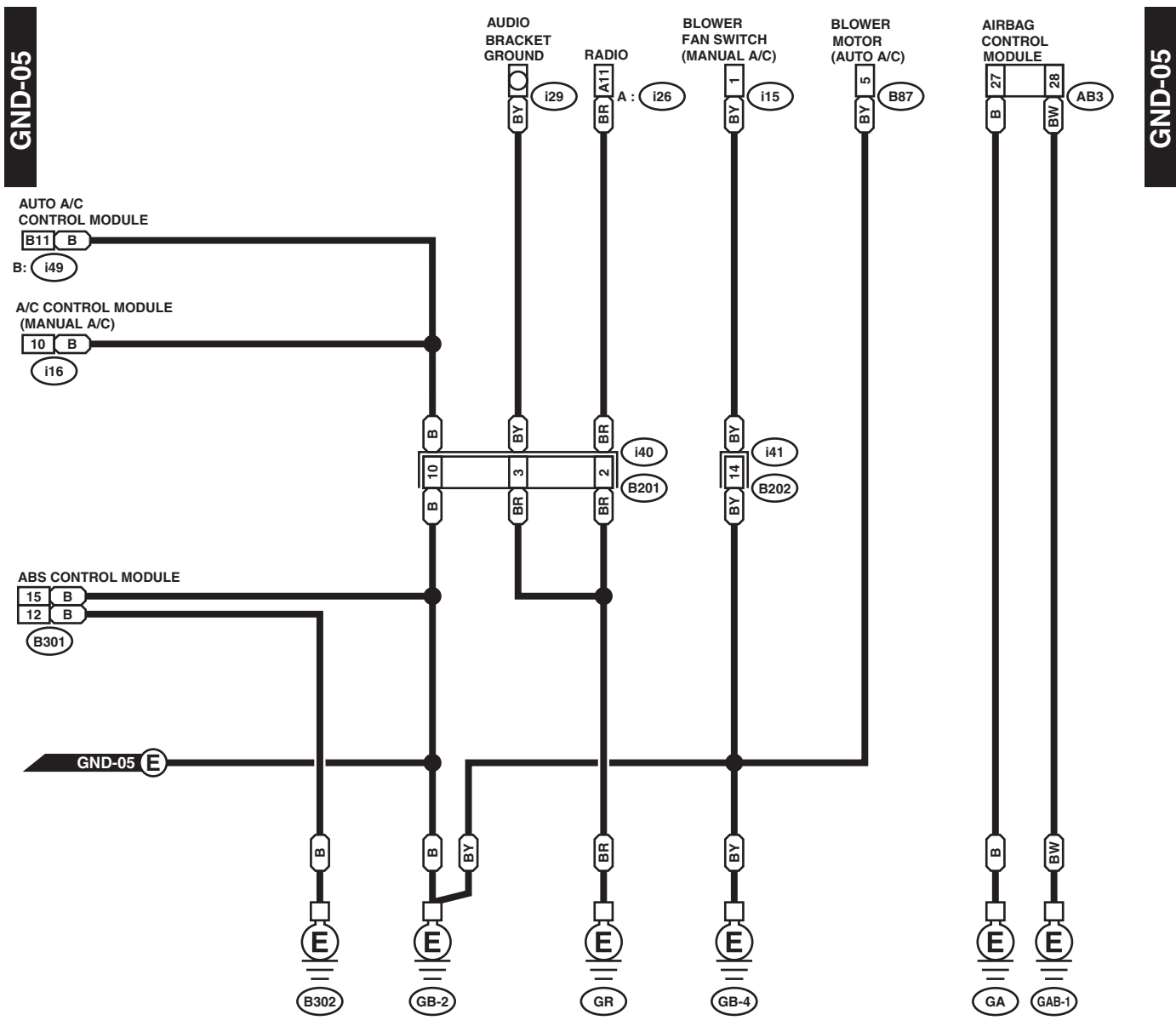
**TB** : TURBO MODEL  
**WH** : WITH OUTER MIRROR TURN SIGNAL LIGHT, WITH HEATED MIRROR  
**OH** : WITH OUTER MIRROR TURN SIGNAL LIGHT WITHOUT HEATED MIRROR  
**OS** : WITHOUT OUTER MIRROR TURN SIGNAL LIGHT WITH HEATED MIRROR  
**\* 1** : WITH OUTER MIRROR TURN SIGNAL LIGHT WITHOUT HEATED MIRROR : 4  
 WITH OUTER MIRROR TURN SIGNAL LIGHT, WITH HEATED MIRROR : 5



1	2	3	4	5	6	7	8	9	10	11	12	13	14	15	16	17	18	19	20	21	22	23	24	25	26	27	28
29	30	31	32	33	34	35	36	37	38	39	40	41	42	43	44	45	46	47	48	49	50	51	52	53	54	55	
56	57	58	59	60	61	62	63	64	65	66	67	68	69	70	71	72	73	74	75	76	77	78	79	80	81	82	83

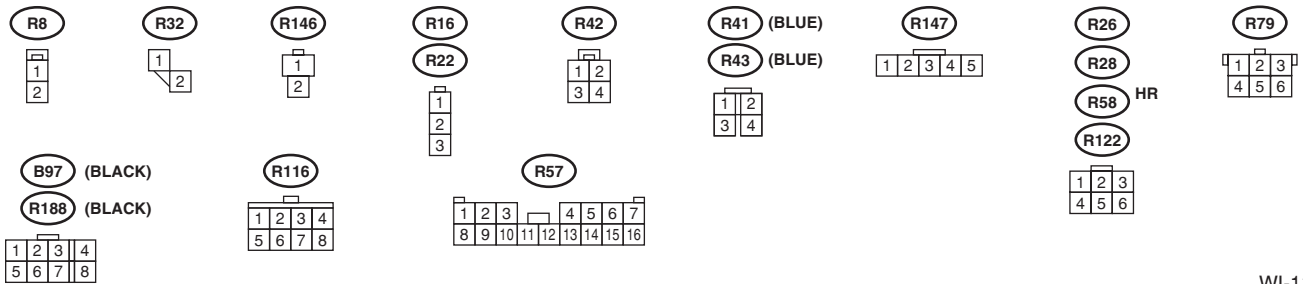
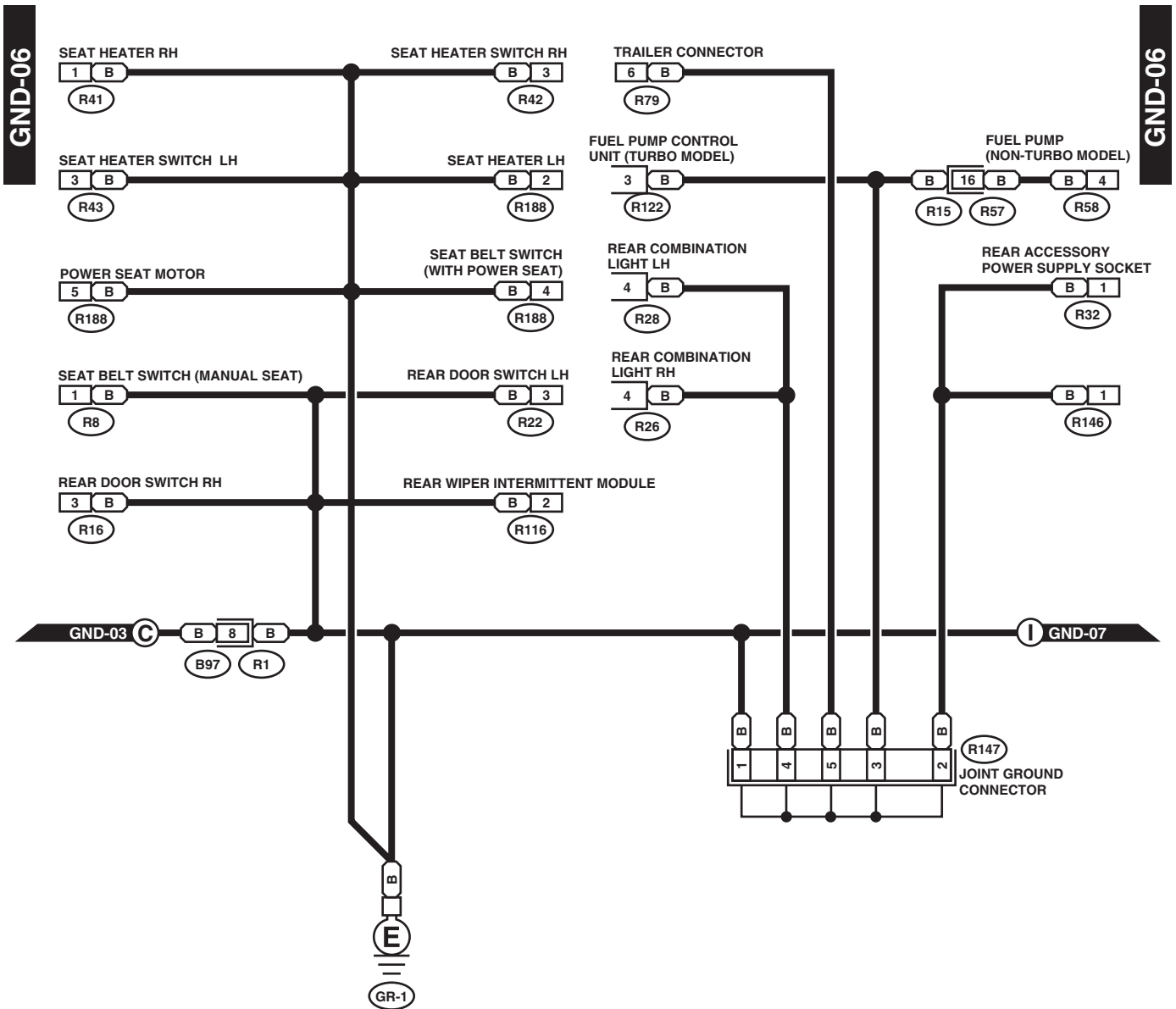
# Ground Circuit

## WIRING SYSTEM



WI-08461

# Ground Circuit



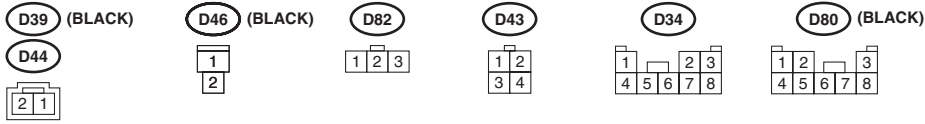
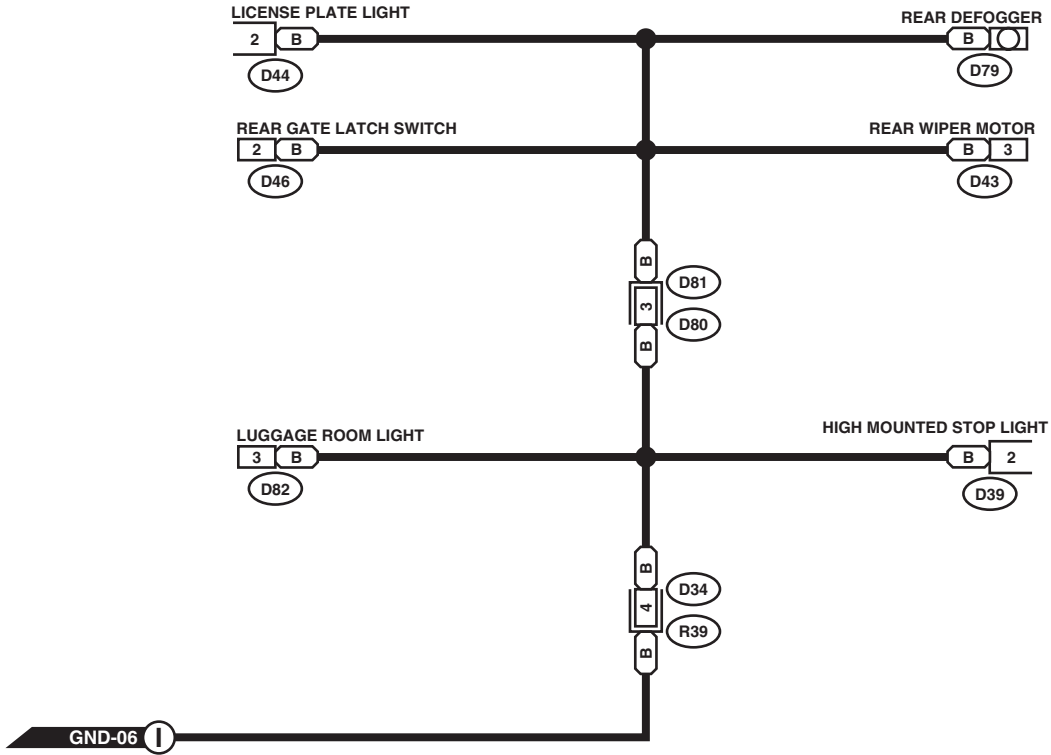
WI-11583

# Ground Circuit

WIRING SYSTEM

GND-07

GND-07

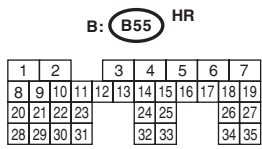
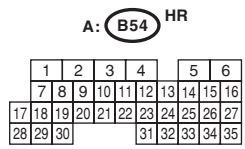
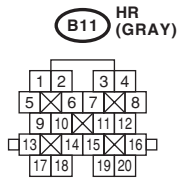
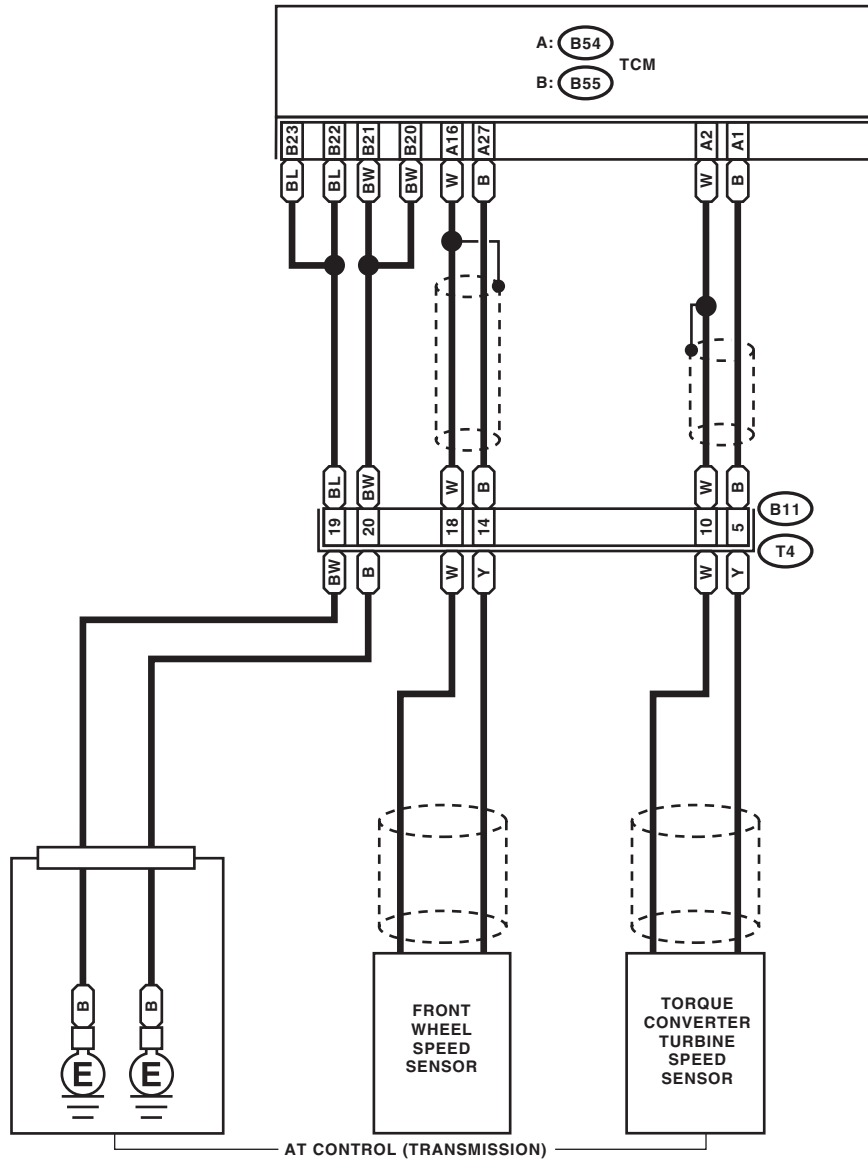


WI-08339

# Ground Circuit

GND-08

GND-08



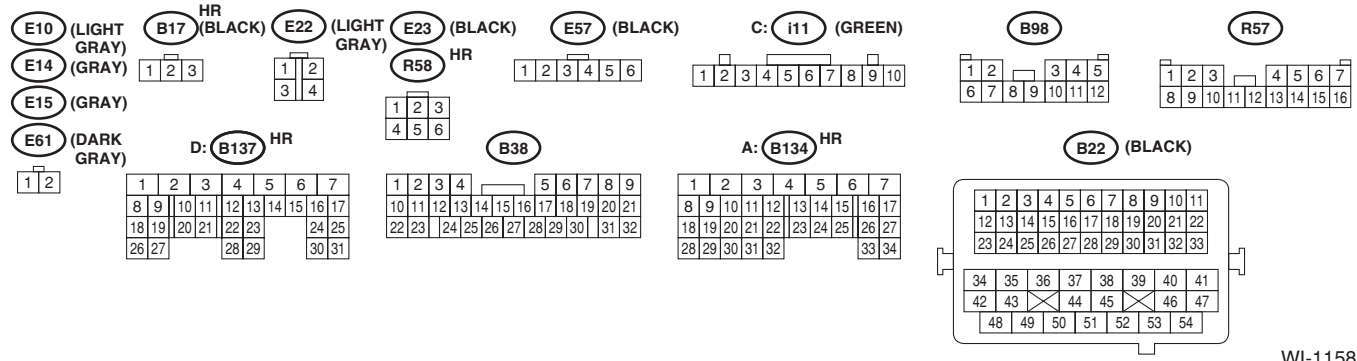
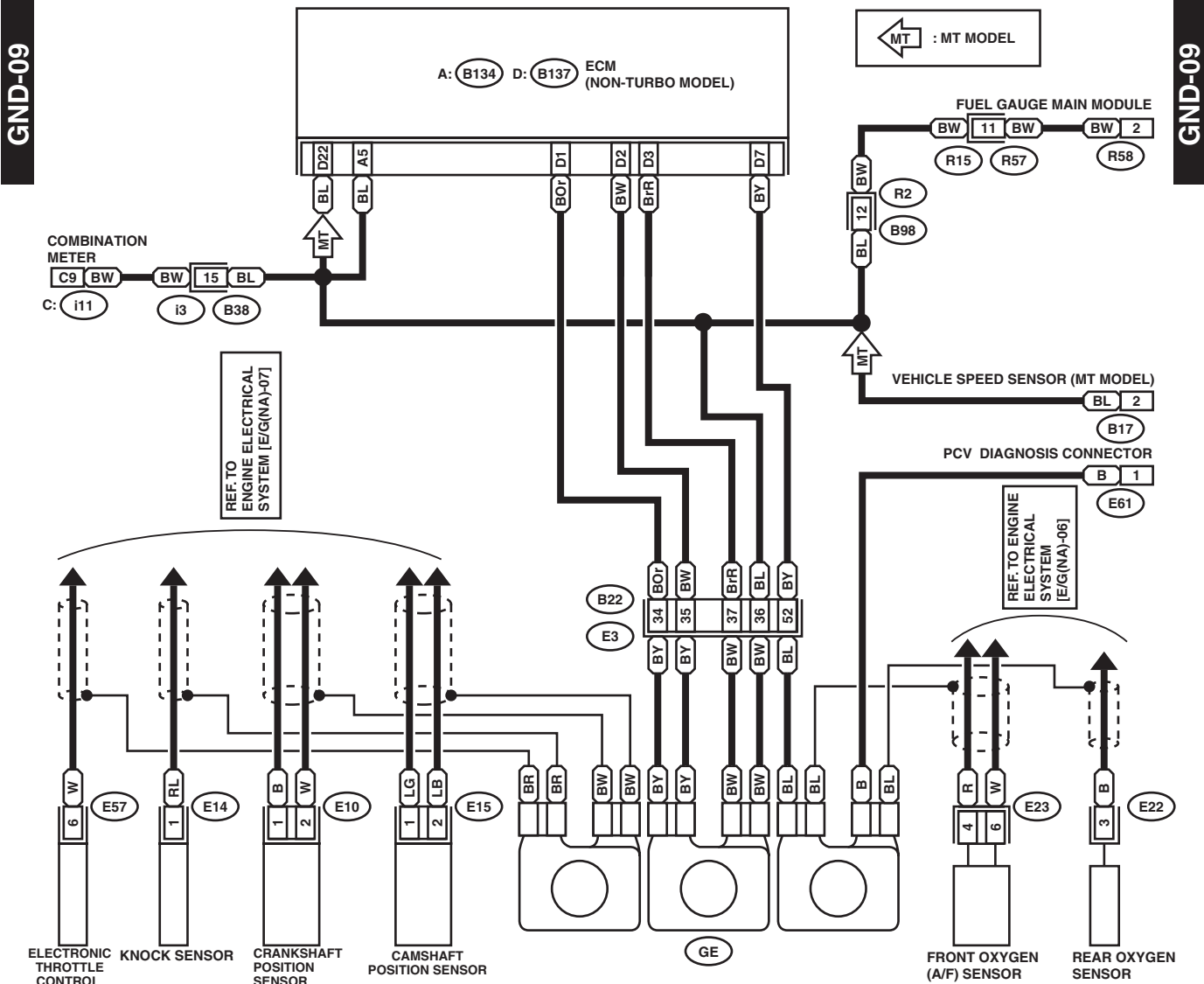


# Ground Circuit

WIRING SYSTEM

GND-09

GND-09

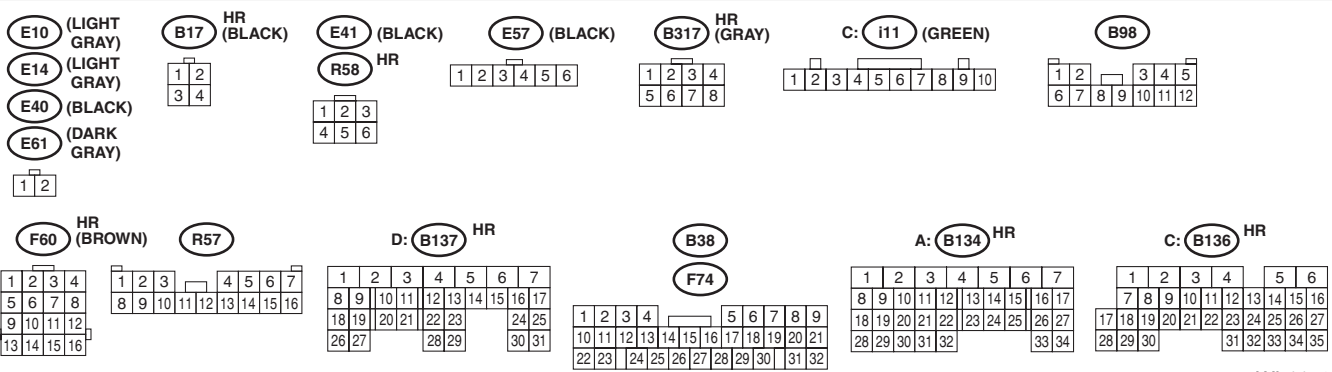
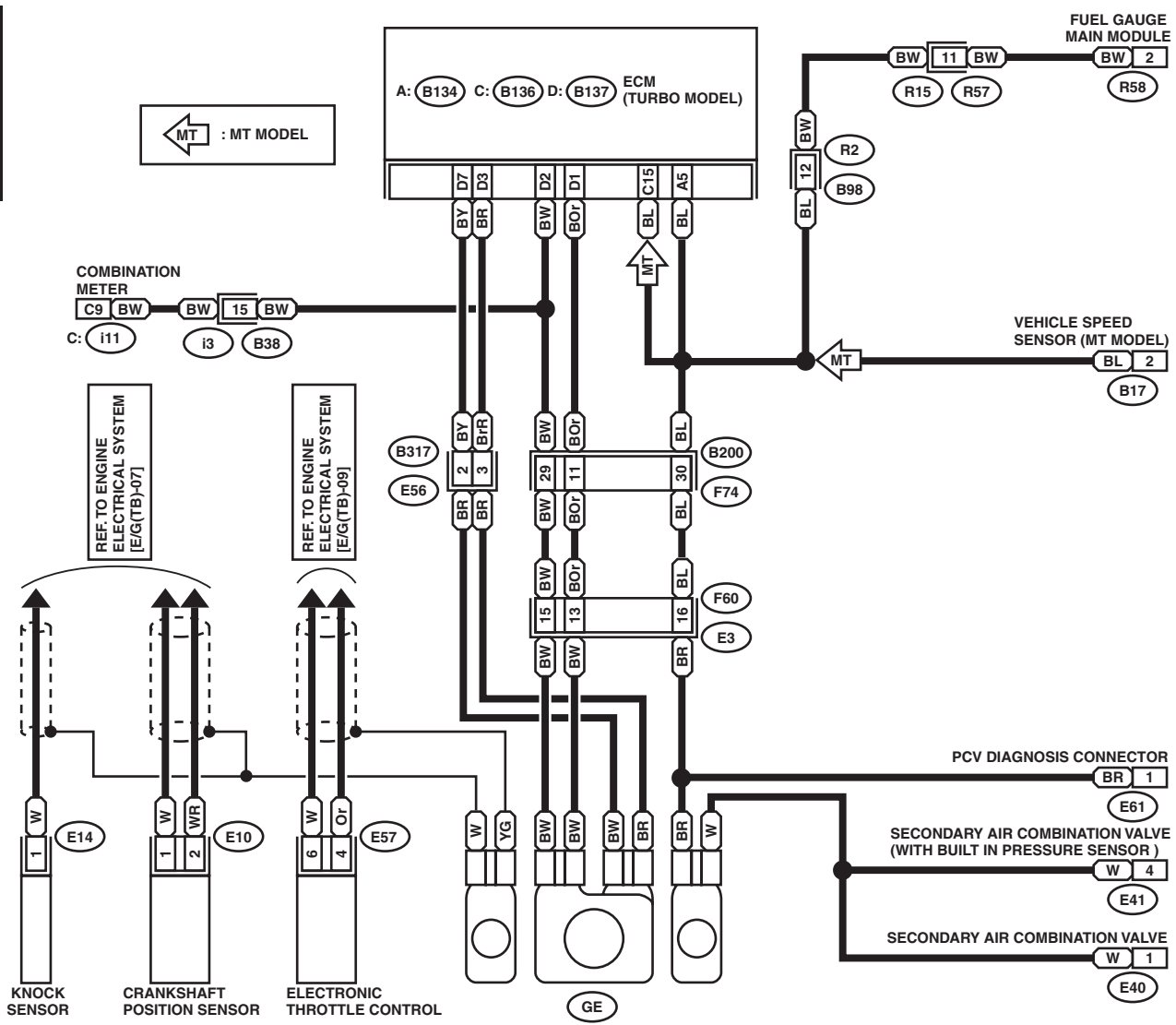


WI-11585

# Ground Circuit

GND-10

GND-10



WI-11586