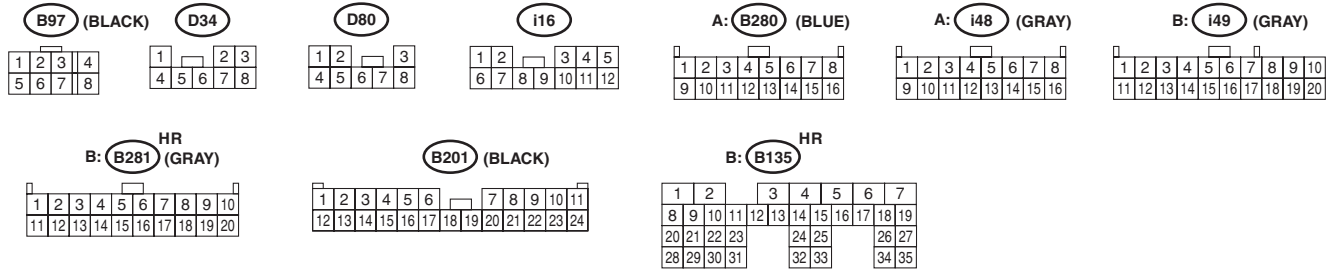
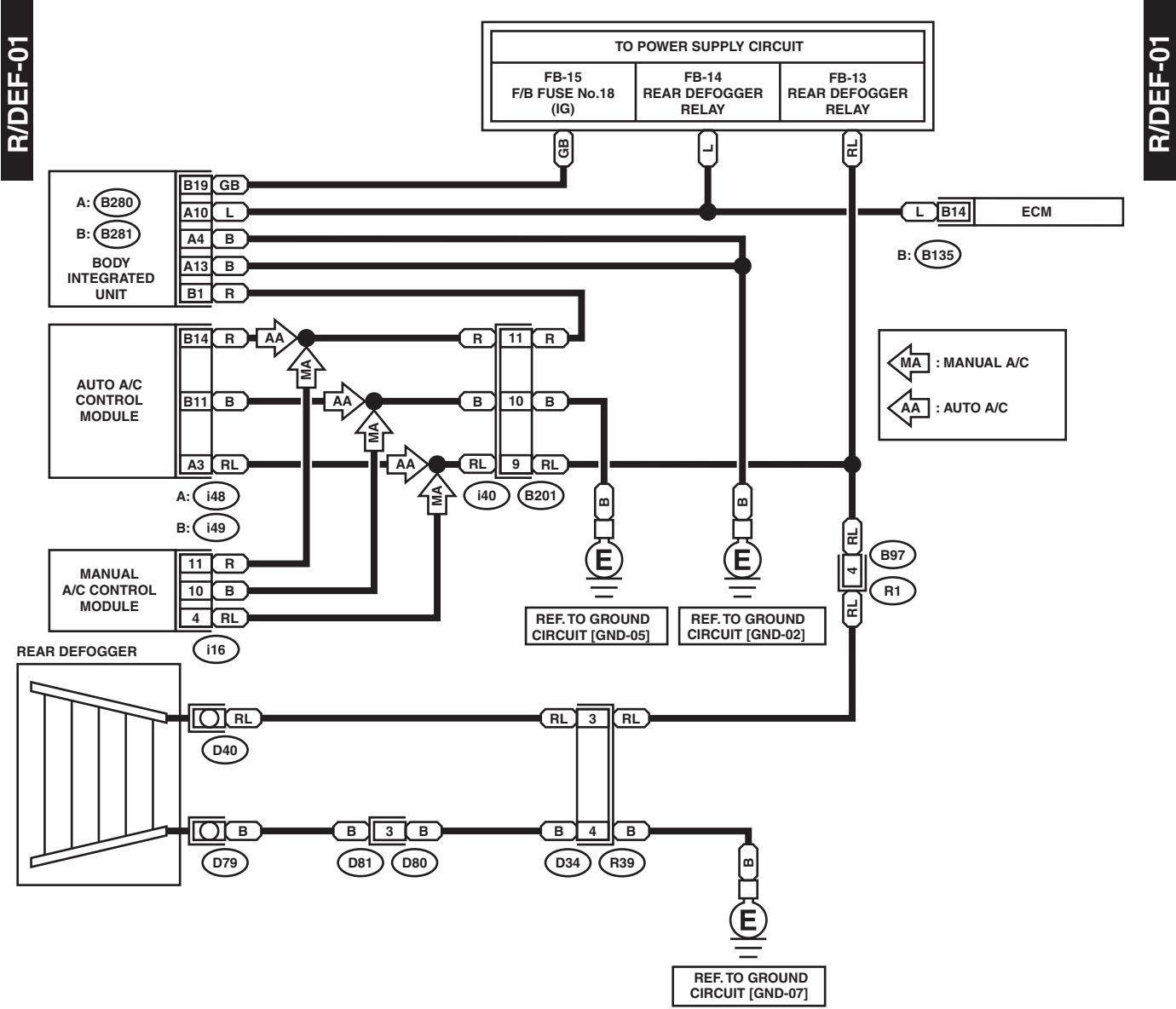


38.Rear Defogger System

A: WIRING DIAGRAM



WI-11651