

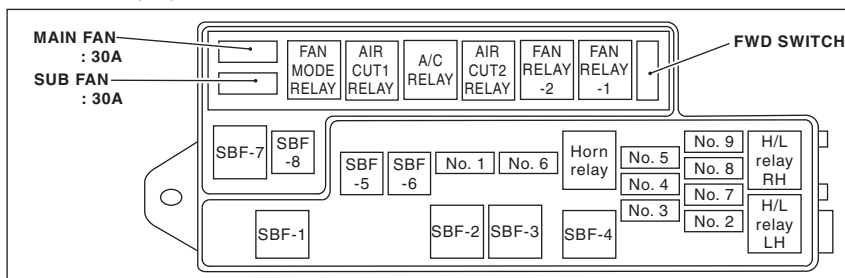
## 3. Power Supply Circuit

### A: WIRING DIAGRAM

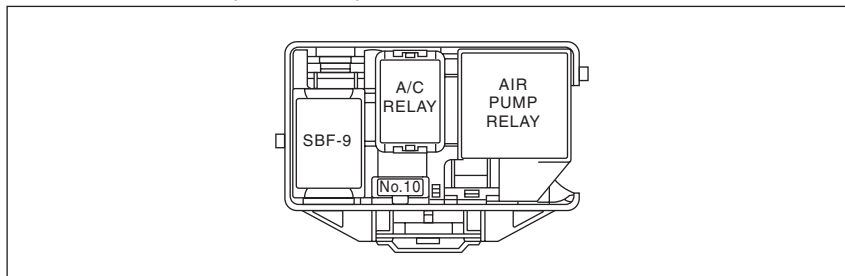
P-SUP-01

P-SUP-01

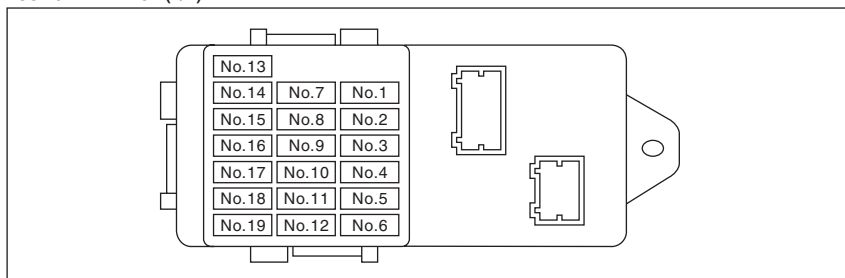
MAIN FUSE BOX (M/B)



SECONDARY AIR FUSE BOX (TURBO MODEL)



FUSE & RELAY BOX (F/B)

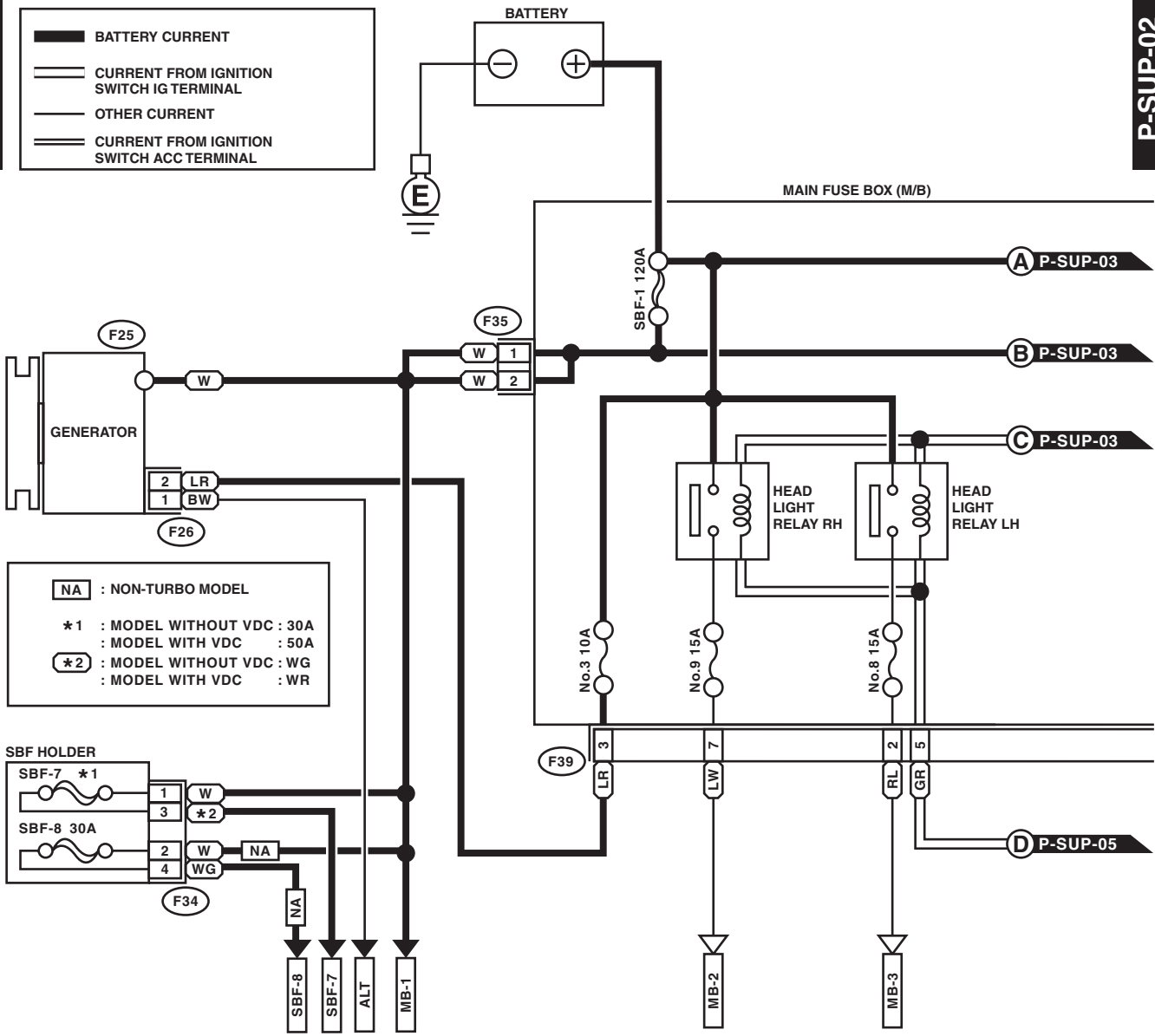
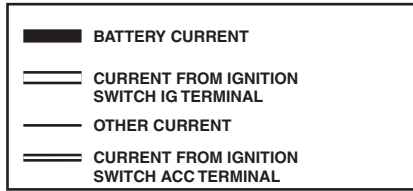


# Power Supply Circuit

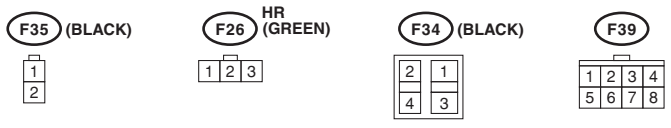
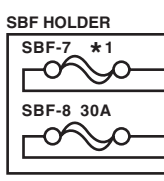
## WIRING SYSTEM

P-SUP-02

P-SUP-02



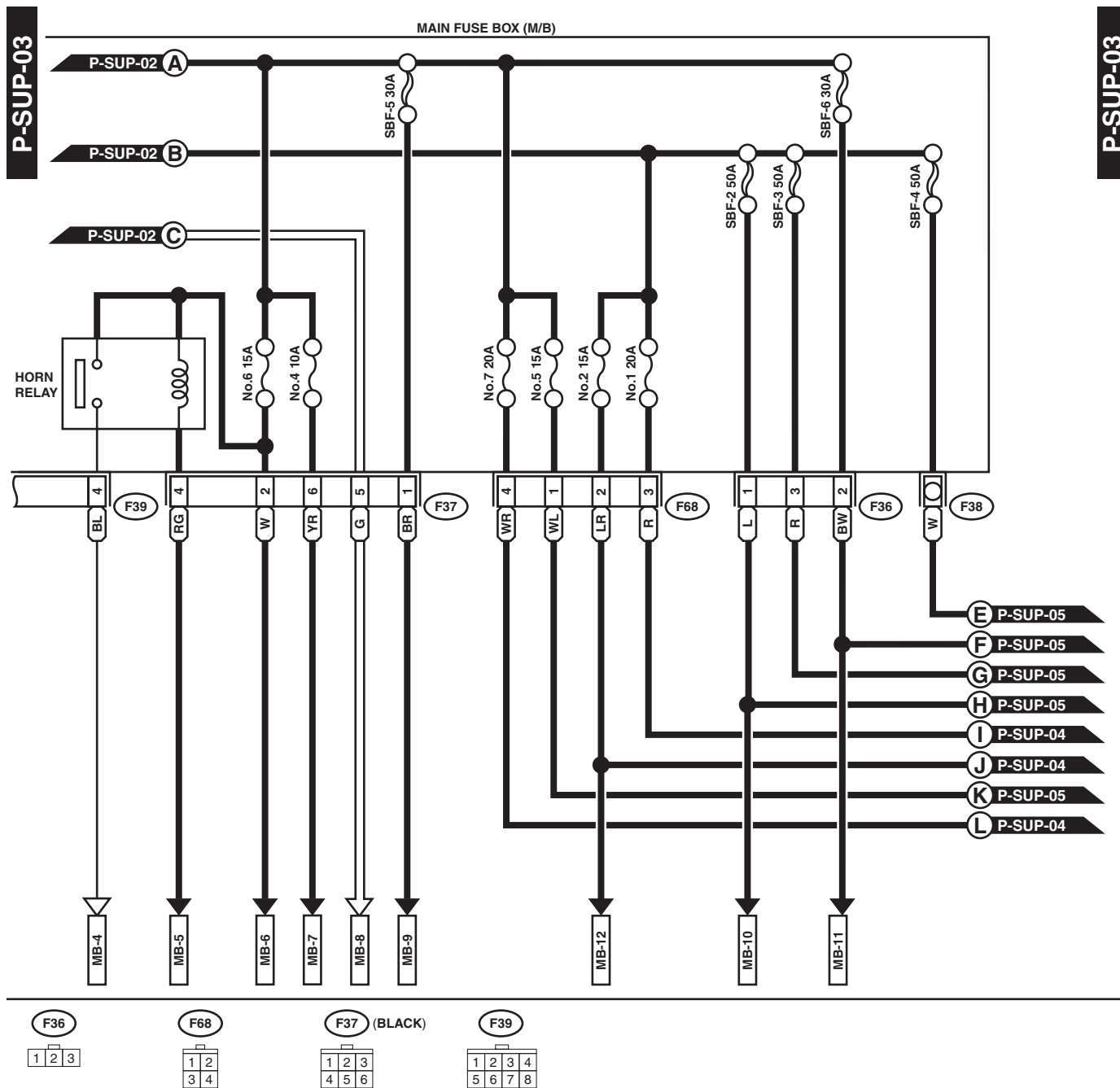
NA : NON-TURBO MODEL  
 \* 1 : MODEL WITHOUT VDC : 30A  
       : MODEL WITH VDC : 50A  
 \* 2 : MODEL WITHOUT VDC : WG  
       : MODEL WITH VDC : WR



WI-11579

# Power Supply Circuit

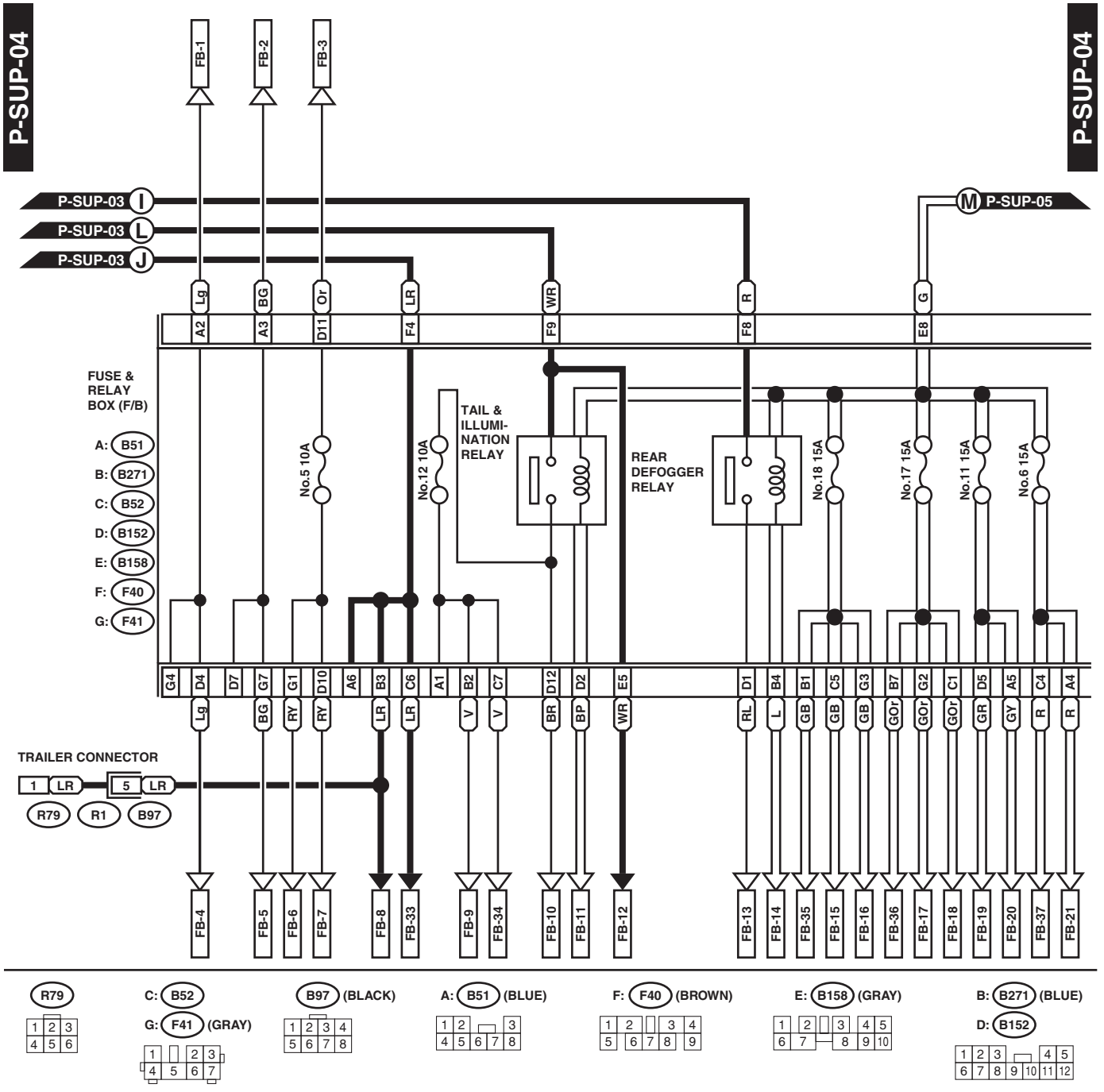
WIRING SYSTEM



WI-08466

# Power Supply Circuit

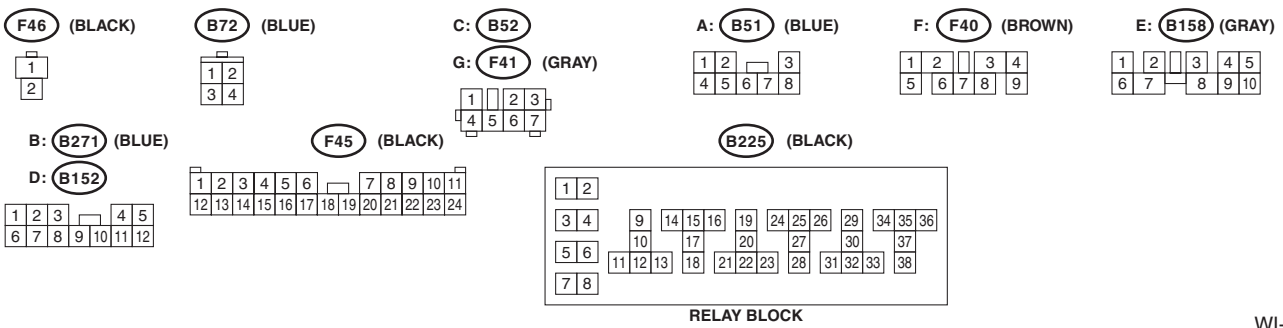
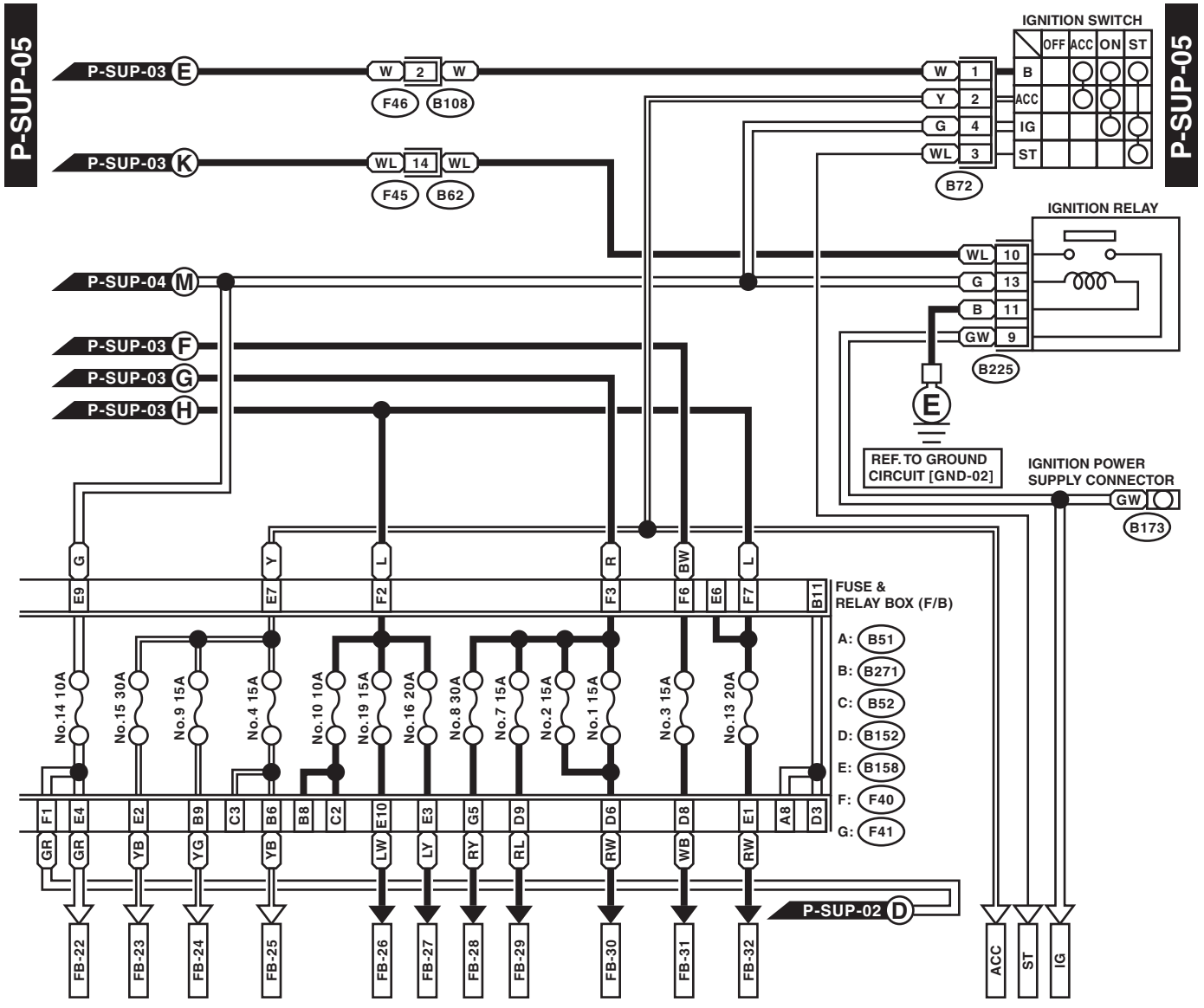
WIRING SYSTEM



WI-10662

# Power Supply Circuit

WIRING SYSTEM



RELAY BLOCK

WI-08333

# Power Supply Circuit

## WIRING SYSTEM

No.	Load
MB-1	A/C relay holder (fuse) Secondary air relay holder (fuse)
MB-2	Combination meter Headlight RH
MB-3	Headlight LH
MB-4	Horn
MB-5	Horn switch Keyless entry control module Security horn relay
MB-6	Hazard switch Keyless entry control module Key warning switch
MB-7	Transmission control module
MB-8	Daytime running light control module Diode (Daytime running light) HID diode
MB-9	Data link connector Engine control module Fuel pump relay Main relay Electronic throttle control relay Immobilizer Control Module A/F Oxygen sensor relay
MB-10	Fuse (seat heater)
MB-11	Power window circuit breaker
MB-12	Keyless buzzer Combination meter Immobilizer Control Module
SBF-7	ABS control module VDC hydraulic unit
SBF-8	A/F Oxygen sensor relay
ALT	Combination meter
ACC	Fuse (Rear wiper)
IG	Data link connector Hazard switch Power window relay Vehicle speed sensor (MT model)
ST	Interrupt relay
FB-1	Combination meter
FB-2	Hazard switch Keyless entry control module Rear turn signal light LH Trailer connector Turn signal switch Turn signal light
FB-3	Parking switch Daytime running light relay HID relay
FB-4	Brake fluid level warning switch
FB-5	Front turn signal light LH
FB-6	Front clearance light LH Front clearance light RH Headlight beam leveler LH Headlight beam leveler RH Side marker light LH

No.	Load
FB-7	License plate light Side marker light RH Rear combination light LH Rear combination light RH Trailer connector Headlight beam leveler switch
FB-8	Clock Auto A/C control module Combination meter Audio Room light Spot map light Body integrated unit Luggage room light Key illumination
FB-9	Combination meter Illumination light
FB-10	Parking switch
FB-11	Engine control module Lighting switch
FB-12	Parking switch Daytime running light relay
FB-13	Rear defogger Auto A/C control module Manual A/C control module
FB-14	Body integrated unit Engine control module
FB-15	Back-up light switch (MT model) Daytime running light control module (Vehicles with V.I.N. before 733000) Daytime running light relay (Vehicles with V.I.N. before 733000) High-beam relay (Daytime running light) (Vehicles with V.I.N. before 733000) Inhibitor switch (AT model) Body integrated unit Keyless entry control module Stop light & brake switch Clutch switch (MT model) Impact sensor VDC control module ABS control module
FB-16	Fan Relay 1
FB-17	A/C relay Fan mode relay Fan Relay 2 A/C pressure switch
FB-18	Wiper deicer switch
FB-19	Engine control module Fuel pump relay Ignition coil No. 1 (Turbo model) Ignition coil No. 2 (Turbo model) Ignition coil No. 3 (Turbo model) Ignition coil No. 4 (Turbo model) Transmission control module Immobilizer Control Module
FB-20	Airbag control module

# Power Supply Circuit

WIRING SYSTEM

No.	Load
FB-21	Airbag control module Occupant detection unit (Vehicles after V.I.N. 733001)
FB-22	Combination meter Clock Daytime running light relay (Vehicles with V.I.N. before 733000) Daytime running light control module (Vehicles with V.I.N. after 733001) Daytime running light control module (Vehicles with V.I.N. after 733001) High beam relay (Vehicles after VIN 733001)
FB-23	Combination switch (Wiper) Front washer motor Front wiper motor
FB-24	Clock Compass mirror Audio
FB-25	Front accessory power supply socket Transmission control module Body integrated unit Remote control mirror switch Rear accessory relay Seat heater relay
FB-26	Rear accessory relay
FB-27	Stop light switch
FB-28	ABS control module VDC hydraulic unit
FB-29	Front fog light relay
FB-30	Blower fan relay
FB-31	Body integrated unit Keyless entry control module Occupant detection unit (Vehicles before V.I.N. 733000)
FB-32	Wiper deicer & Mirror heater relay
FB-34	Body integrated unit Illumination light Clock
FB-35	Wiper deicer & Mirror heater relay
FB-36	Blower fan relay A/C pressure switch Intake actuator Auto A/C control module Manual A/C control module
FB-37	Occupant detection unit (Vehicles after V.I.N. 733001)