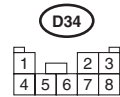
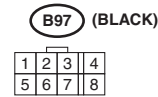
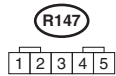
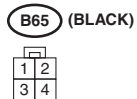
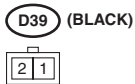
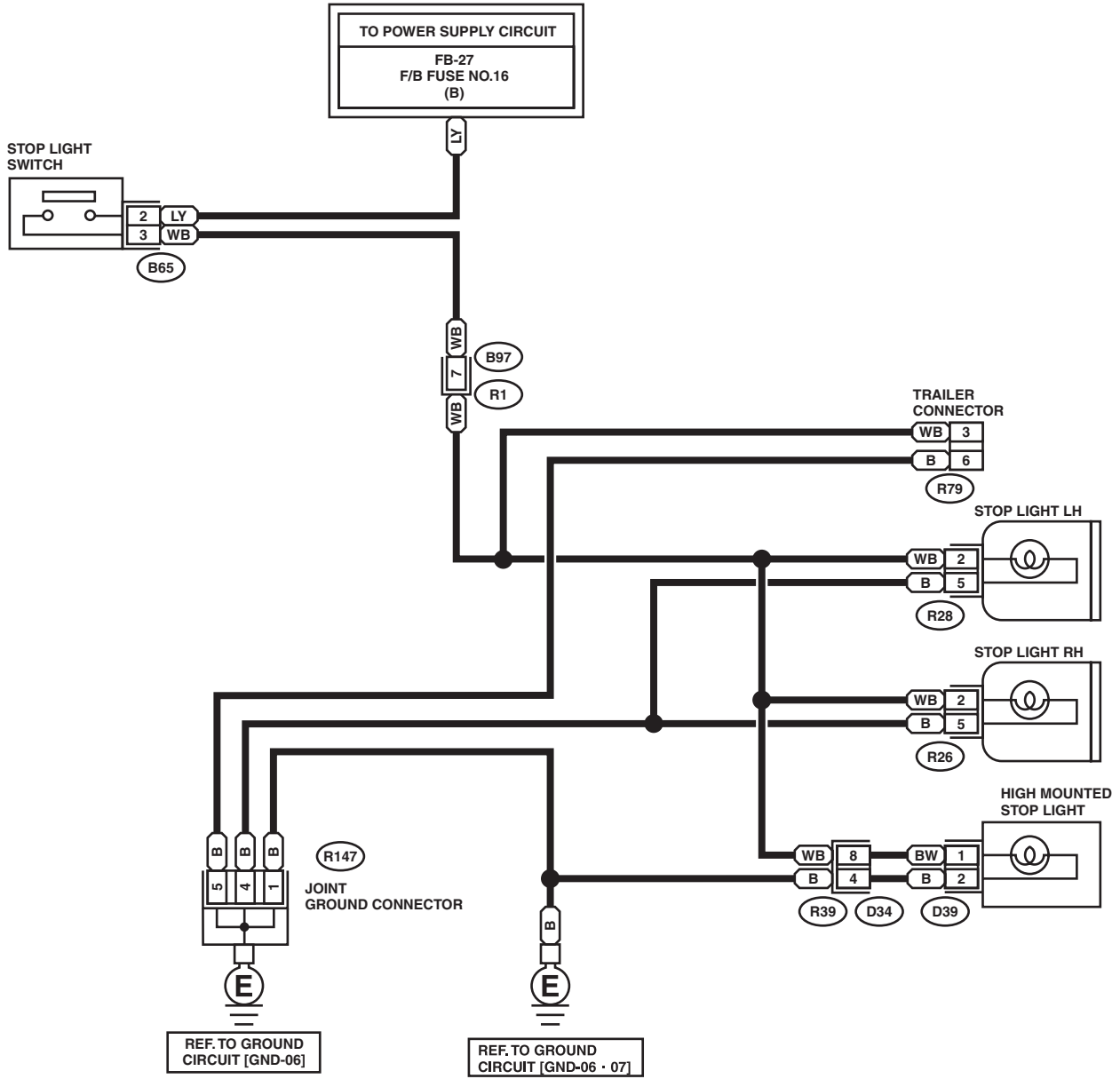


26. Stop Light System

A: WIRING DIAGRAM

STOP/L-01

STOP/L-01



WI-08417