

## 25. Tire Rotation

### A: INSPECTION

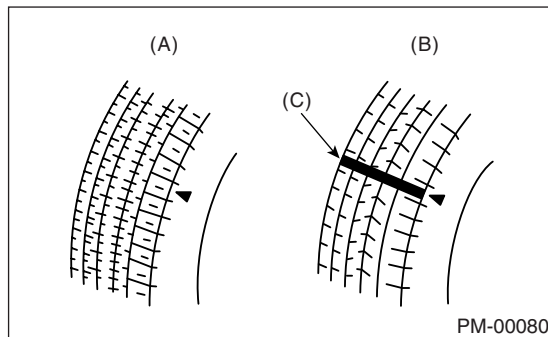
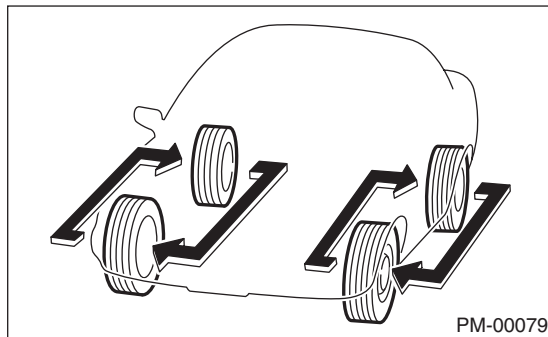
1) If the depth of tread is less than 1.6 mm (0.063 in), or the tread wear indicator has appeared across the tire tread, replace the tire.

#### CAUTION:

**Replace the left and right sides at the same time.**

2) If unevenly worn, adjust the alignment.

3) To make tire wear uniform, rotate the front and rear tires as shown in the figure below every 12,500 km (7,500 mile).



- (A) New tread
- (B) Worn tread
- (C) Tread wear indicator