

21. Brake Lining and Drum

A: INSPECTION

1. REAR DRUM BRAKE

1) Remove the brake drum and check for fluid leaks from the wheel cylinder.

If fluid leaks are found in the wheel cylinder, check the wheel cylinder and repair or replace it.

2) Inspect the brake shoes for damage or deformation and check the brake linings for wear beyond limit values.

CAUTION:

- Always replace the wheel leading and trailing brake shoes for the left and right wheels at the same time.
- When replacing either the left or the right brake assembly, always replace the leading shoe and the trailing shoe of one side.

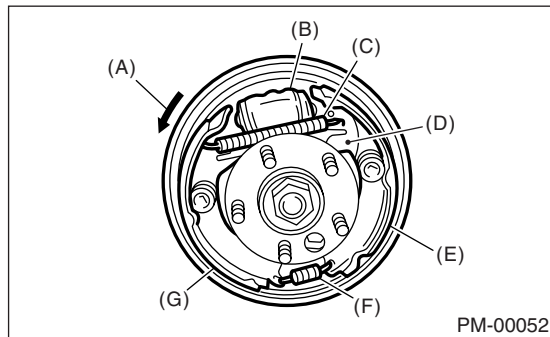
Thickness of lining (except for back metal)

Standard:

4.1 mm (0.161 in)

Service limit:

1.5 mm (0.059 in)



- (A) Drum rotating direction (Forward)
- (B) Wheel cylinder
- (C) Upper shoe return spring
- (D) Adjusting lever
- (E) Trailing shoe
- (F) Lower shoe return spring
- (G) Leading shoe

3) Check the brake drum for wear, dents or other damage.

If the inside surface of brake drum is streaked, correct the surface with emery cloth (#200 or more). If it is unevenly worn or tapered, or the outer surface of the brake drum is damaged, repair or replace it.

Brake drum inside diameter:

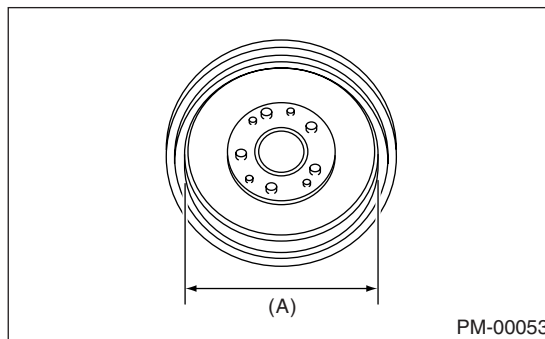
Standard:

228.6 mm (9.000 in)

Service limit:

230.6 mm (9.079 in)

If the deformation or wear of back plate, shoe, etc. is noticeable, replace problem parts.



(A) Inside diameter

2. PARKING BRAKE (REAR DISC BRAKE)

Inspect the brake linings and disc rotor of both sides of the rear brake at the same time by removing disc rotor.

1) Inspect the brake shoes for damage or deformation and check the brake linings for wear beyond limit values.

CAUTION:

Always replace both primary and secondary brake shoes for the left and right wheels at the same time.

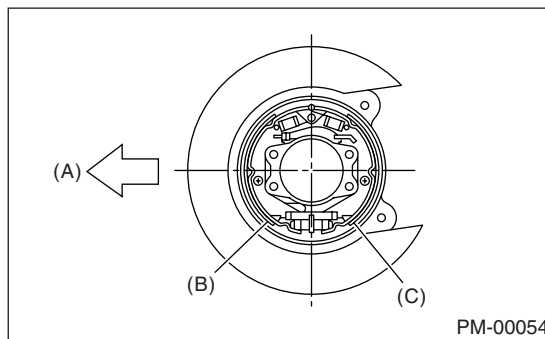
Thickness of brake lining (except for back metal):

Standard:

3.2 mm (0.126 in)

Service limit:

1.5 mm (0.059 in)



- (A) Forward
- (B) Brake shoe (Primary side)
- (C) Brake shoe (Secondary side)

Brake Lining and Drum

PERIODIC MAINTENANCE SERVICES

2) Check the inside of disk rotor for wear, dents or other damage. If the inside surface of disk rotor is streaked, correct the surface with emery cloth (#200 or more). If it is unevenly worn or tapered, correct or replace it.

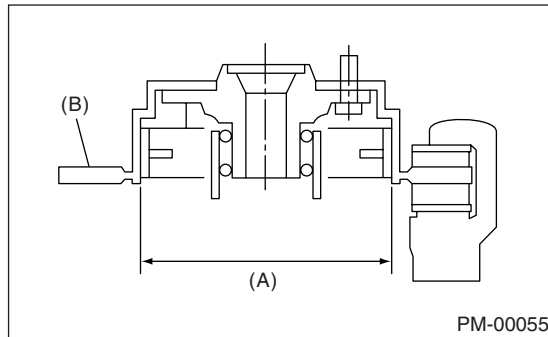
Brake drum inside diameter:

Standard:

170 mm (6.69 in)

Service limit:

171 mm (6.73 in)



- (A) Inside diameter
- (B) Disc

3) If the deformation or wear of back plate, shoe, etc. is noticeable, replace problem parts.
4) When the shoe return spring tension is excessively weakened, replace it.

B: ADJUSTMENT

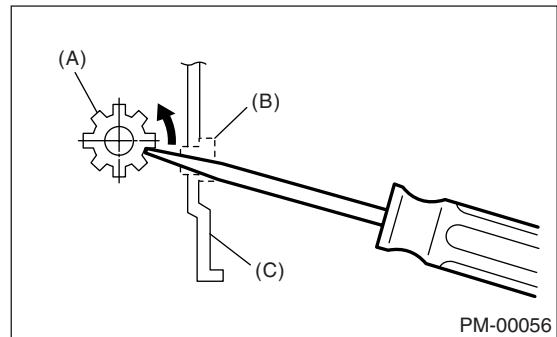
1. REAR DRUM BRAKE

The main brake automatically adjusts itself, so no adjustments are needed.

2. PARKING BRAKE (REAR DISC BRAKE)

For rear disc brake, adjust the parking brake after bleeding air.

- 1) Remove the rear cover (rubber) installed at back plate.
- 2) Turn the adjuster toward arrow mark (upward) until it is locked slightly, by using flat-tip screwdriver as shown in the figure.



- (A) Adjuster
- (B) Rear cover (rubber)
- (C) Back plate

- 3) Turn back (downward) the adjuster 3 to 4 notches.
- 4) Install the rear cover (rubber) in original position correctly.