

17. Front & Rear Differential Gear Oil

A: REPLACEMENT

1. FRONT DIFFERENTIAL (MT MODEL)

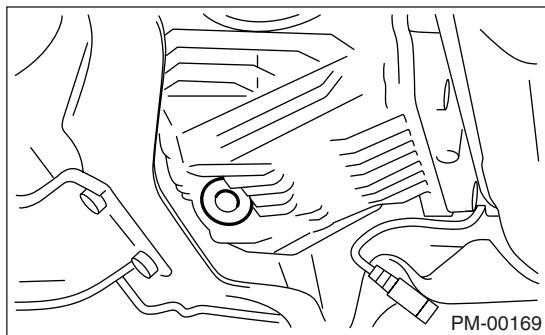
For MT model, differential gear oil works as manual transmission gear oil to lubricate differential. <Ref. to PM-23, Transmission Gear Oil.>

2. FRONT DIFFERENTIAL (AT MODEL)

1) Drain the differential gear oil by removing drain plug using TORX®T70.

CAUTION:

Before starting work, cool off the differential gear oil well.



2) Replace the gasket with new one, and then tighten the drain plug to specified torque.

Tightening torque:

Aluminum gasket

44 N-m (4.5 kgf-m, 32.5 ft-lb)

Copper gasket

70 N-m (7.1 kgf-m, 51.6 ft-lb)

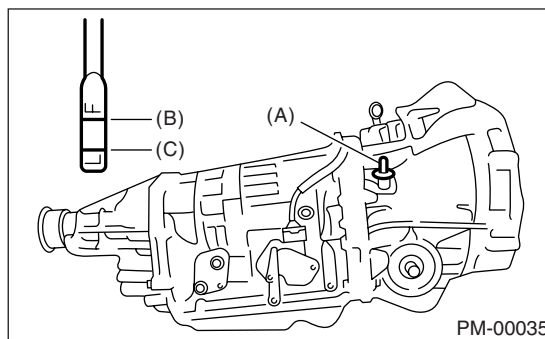
3) Fill differential gear oil through the oil level gauge hole up to the upper point of level gauge.

CAUTION:

Each oil manufacturer has its base oil and additives. Thus, do not mix two or more brands.

Gear oil capacity:

1.1 — 1.3 ℓ (1.2 — 1.4 US qt, 1.0 — 1.1 Imp qt)



(A) Oil level gauge

(B) Upper level

(C) Lower level

3. REAR DIFFERENTIAL

1) Remove the drain plug, and drain the differential gear oil.

2) Remove the filler plug for quick draining oil.

3) Install the drain plug after draining oil.

NOTE:

Apply liquid gasket to the drain plug threads.

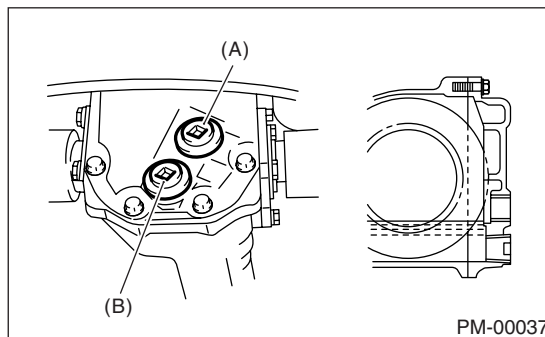
Liquid gasket:

Three bond 1105 (Part No.004403010)

Tightening torque:

49.0 N-m (5.0 kgf-m, 36.2 ft-lb)

4) After installing drain plug onto rear differential gear case firmly, fill oil up fully to the mouth of filler plug.



(A) Filler plug

(B) Drain plug

Oil capacity:

0.8 ℓ (0.8 US qt, 0.7 Imp qt)

CAUTION:

Each oil manufacturer has its base oil and additives. Thus, do not mix two or more brands.

Front & Rear Differential Gear Oil

PERIODIC MAINTENANCE SERVICES

5) Install the filler plug onto rear differential gear case firmly.

NOTE:

Apply liquid gasket to the threads of the filler plug screws.

Liquid gasket:

Three bond 1105 (Part No.004403010)

Tightening torque:

49.0 N·m (5.0 kgf-m, 36.2 ft-lb)