

14. Transmission Gear Oil

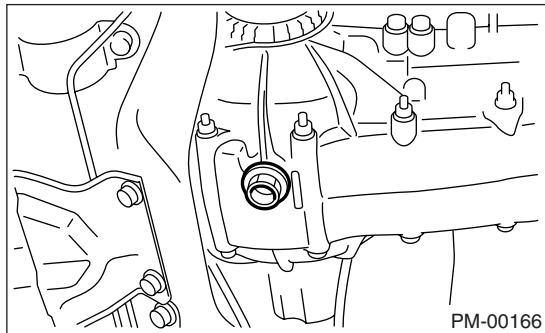
A: REPLACEMENT

1. MANUAL TRANSMISSION

1) Drain the gear oil by removing drain plug.

CAUTION:

- Before starting work, cool off the transmission gear oil well.
- If transmission gear oil adheres to the exhaust pipe, wipe it off completely.



2) Replace the gasket with new one, and then tighten the drain plug to specified torque.

Tightening torque:

70 N·m (7.1 kgf·m, 51.6 ft·lb)

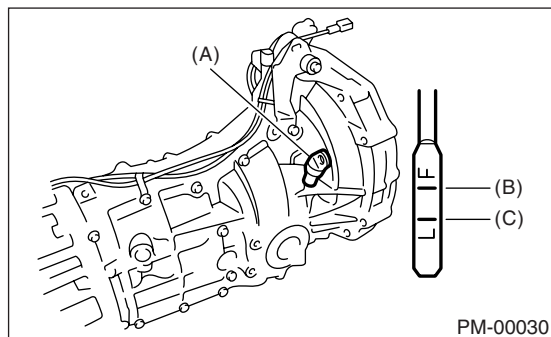
3) Fill the transmission gear oil through the oil level gauge hole up to the upper point of level gauge.

CAUTION:

Each oil manufacturer has its base oil and additives. Thus, do not mix two or more brands.

Gear oil capacity:

3.5 ℓ (3.7 US qt, 3.1 Imp qt)



- (A) Oil level gauge
- (B) Upper level
- (C) Lower level