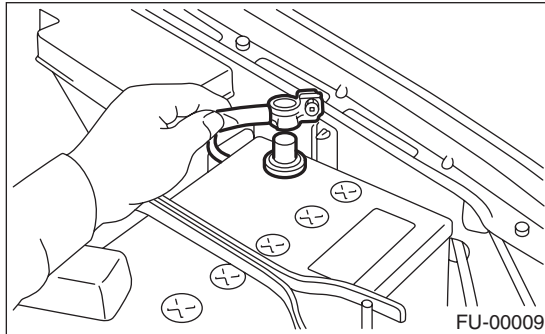


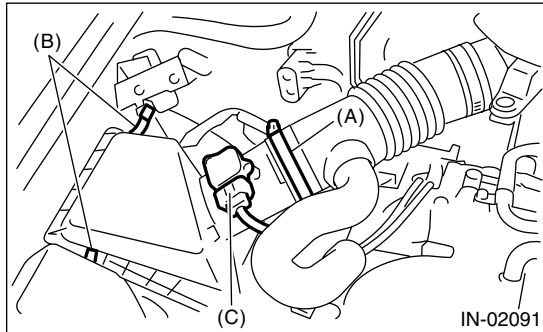
## 3. Air Cleaner Case

### A: REMOVAL

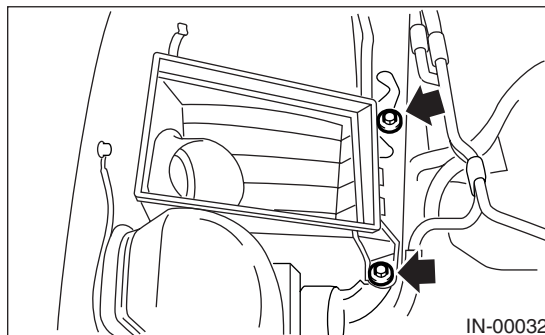
- 1) Disconnect the ground cable from battery.



- 2) Loosen the clamps (A) which connect the air cleaner case and the intake duct.
- 3) Remove the clips (B) from air cleaner case.
- 4) Disconnect the connector (C) from mass air flow and intake air temperature sensor.



- 5) Remove the intake duct and upper cover from air cleaner case.
- 6) Remove the air cleaner element.
- 7) Remove the bolts which install air cleaner case to vehicle body.



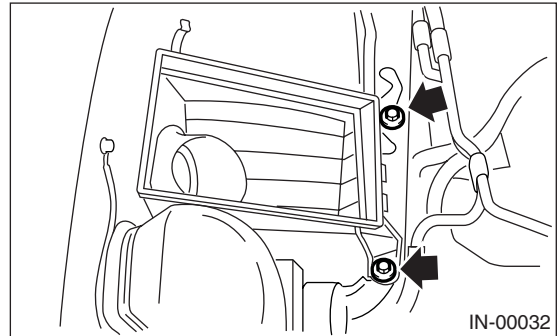
- 8) Remove the air cleaner case.

### B: INSTALLATION

Install in the reverse order of removal.

#### *Tightening torque:*

**33 N·m (3.4 kgf-m, 24.6 ft-lb)**



### C: INSPECTION

Check for cracks or loose connection.